

⚠ ENSURE POWER SUPPLY IS OFF WHEN HANDLING ANY ELECTRICAL EQUIPMENT.

- This product must be installed by a qualified electrical installer.
- All electrical work should be completed in accordance with the latest IET regulations, or any other relevant rules, regulations or laws of the country in which it is being installed.
- Ensure the item is isolated from any form of insulation and is adequately ventilated to prevent premature decay of the LED package.
- Ensure power supply is isolated prior to installation, maintenance or performing any other form of electrical work.
- The company **MUST** be contacted immediately for advice or swift resolution of any matters concerning any of ALL LED's products.

⚠ Please allow adequate time for drivers to discharge do not connect / disconnect the luminaires to any DC circuit when there is any current / voltage output on the driver please refer to the relevant power supply instructions for details.

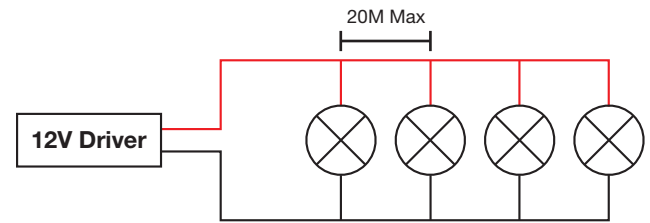
Returns & Faulty Items

- If any problem is encountered during or after installation, please call ALL LED technical department to get the problem resolved as soon as possible.
- Please do not just return the item to the outlet you purchased it from, as you are only entitled to a replacement or refund after the unit has undergone testing and the unit has been confirmed as having a manufacturing defect/fault. Your statutory rights are not affected.
- The manufacturer will not be deemed liable or held responsible for any damages caused by faults or manufacturing defects that may be present in any of its products or the misuse or incorrect installation of this device.
- All installations must be carried out in accordance with this installation guide and user manual.
- All goods are supplied under the terms and conditions of ALL LED LTD, a copy of which may be obtained upon written request.

Technical Specifications

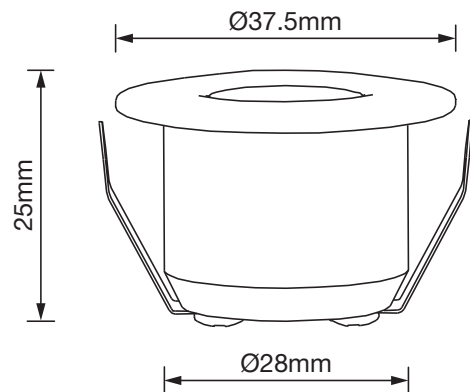
Product Code	AML12V/**/30	AML12V/**/40
Luminous Flux (LM)	90lm	110lm
Useful Luminous Flux (LM)	80lm	100lm
CCT (Kelvin)	3000K	4000K
Beam Angle (°)	36°	
SDCM	<6	
CRI	>80	
Peak Intensity (cd)	205cd	260cd
Operating Voltage (V DC)	12V DC	
Max Output Power (W)	1W	
Body Material	Aluminium	
Cut Out	28mm	
Frame Colour	Aluminium / Carbon Black / Polar White	
Ingress Protection	IP20	
Ambient Operating Temperature (°C)	-10°C ~ +40°C	
Guarantee	5 Years	
Dimmable	Yes With Dimmable Driver	
Cable Length	1.5M	
Lifetime (L70 B50)	25,000 Hrs	
Survival Factor	0.9	
Lumen Maintenance Factor	0.96	

Wiring Diagram



Please note this diagram is for indicative purposes only. Actual wiring may differ.

Dimensions (mm)



ATTENTION

IF ANY PROBLEMS PERSIST, PLEASE CALL THE ALL LED TECHNICAL DEPARTMENT FOR FURTHER ASSISTANCE.



ISOLATE MAINS SUPPLY BEFORE HANDLING ANY ELECTRICAL PRODUCTS
Environmental Protection
Waste electrical products should not be disposed of with household waste. Please recycle where facilities exist. Check with your Local Authority or retailer for recycling advice

